

Sears EDI Guidelines

816 Organizational Relationships

v4010

NOTE: References to Fashion centers have been removed from this document in November 2007

INTRODUCTION

This document specifies Sears requirements for transmission of the 816 - Organizational Relationships.

This document is used by Sears to convey store addresses and relationships. It is assumed that the receiver will maintain a file or database of these addresses and location relationships, and perform lookups as necessary. The 816 is a recommended transaction set for all trading partners.

ISA/GS Qualifier, Sender ID

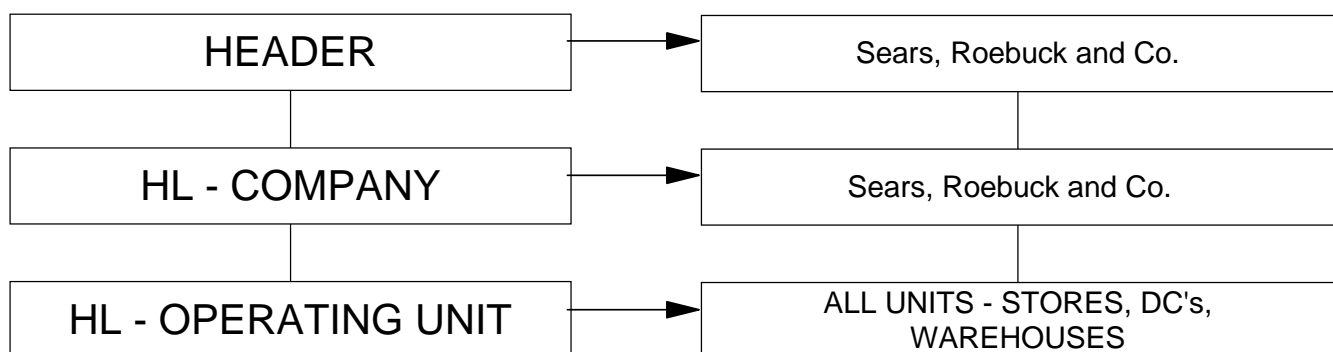
PRODUCTION

08, 6111250055

Two hierarchical structures have been defined for use in the 816 - Organizational Relationships transaction set - one for Location Address and one for Location Relationships.

LOCATION ADDRESS Structure (BHT01 contains code 0065)

Location Addresses are grouped into 9 lists and each list will be formatted into a separate 816 transaction set. Each list type will be identified in the BHT segment and the detail information for the units in the named list will be specified in the HL-Operating Unit level of the transaction.



Sears EDI Guidelines

816 Organizational Relationships

v4010

Location Address List Types

- 11) Large Retail Locations: Large retail selling locations, HIPS locations, and Central Installation Offices
- 12) Warehouses: Retail and automotive merchandise distribution centers and warehouses; cross-dock, home and direct delivery centers
- 13) Other Retail Outlets: Small stores; appliance, furniture, paint and hardware, authorized dealers, and outlet stores
- 14) Service Locations: Repair parts distribution centers, and residential service centers
- 15) Sears Auto Centers
- 16) Miscellaneous: Accounting, payroll, credit and logistics locations
- 17) Combined Retail List: lists 11, 12, and 13
- 18) Complete Directory: lists 11, 12, 13, 14, 15, and 17
- 19) Combined Sears Auto Centers and Warehouses: lists 12 and 15

Generally, finished goods suppliers (merchandise for resale) should receive list 17 combined retail (combines lists 11, 12 and 13); equipment, fixture and supply vendors should receive list 18 complete directory (combines lists 11 - 16) and automotive vendors should receive list 19 combined Sears' Auto Centers and warehouses (combines lists 12 and 15). Combinations other than 17, 18, and 19 may become available as business need dictates. Before you elect to receive one of the combined listings, you should determine if your system can handle the volume of data that will be sent. List 17 contains approximately 2500 location addresses, list 18 contains approximately 5400 location addresses, and list 19 contains approximately 1600 location addresses.

Sears will process and transmit location lists and change activity weekly. The full list will be transmitted to those vendors who have moved to production or "live" status during the week. Change activity will be extracted every week for each of the nine lists. Once you have received an initial load of a full list, you will only receive change activity thereafter. **Note:** You should maintain your Location Address list by processing weekly updates promptly, because change activity can be retransmitted only within the current week. Once the next week's updates are generated, the data from the prior week is no longer available.

Sears EDI Guidelines

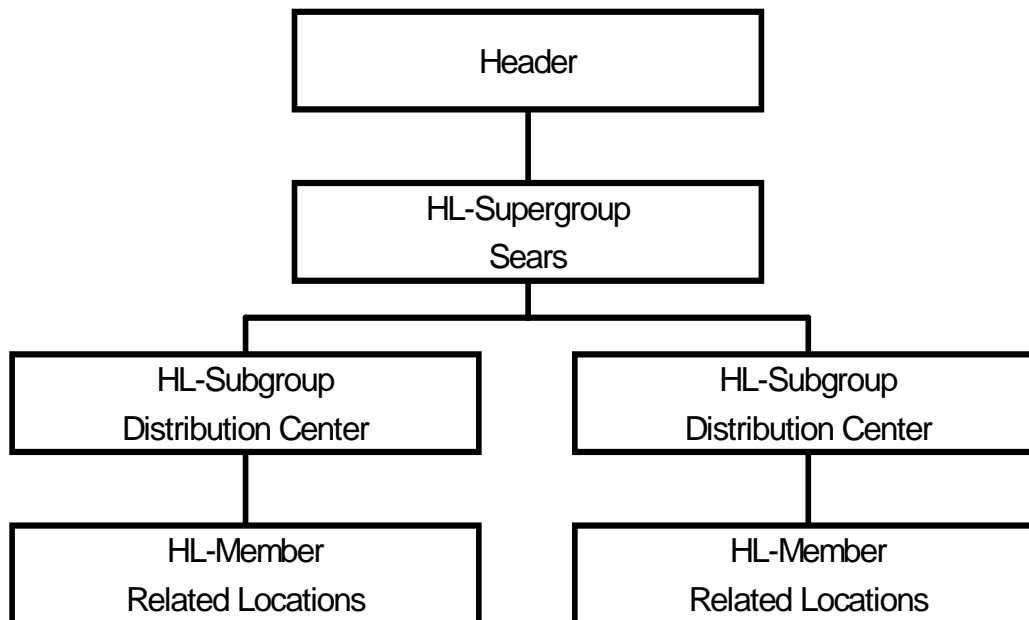
816 Organizational Relationships

v4010

LOCATION RELATIONSHIP Structure (BHT01 contains code 0057)

Data element N102 in the Header and Company (the first HL loop) level identify Sears, Roebuck and Co.

Data element N102 (Name) is not used in the remaining HL loops.



Location Relationship List Types

Sears has tailored the Location Relationship listing into three lists. Each list will be formatted into an 816 transaction set. The list type will be identified in the BHT segment and the detail information for the units in the named list will be specified in the HL-Subgroup and HL-Member levels of the transaction.

- A) DDCF: Direct Delivery Channel Facilities (Large Appliances and Furniture)
- B) RRC: Retail Replenishment Centers (Retail Stock and Cross-dock; and Tires)

Location Relationships lists do not contain any address information. You must receive one or more corresponding Location Address lists in order to receive a Location Relationship list. Sears will process and transmit location relationship information monthly. Sears will transmit complete list(s) which ALWAYS refresh or replace the prior month's list(s).

Sears EDI Guidelines

816 Organizational Relationships

v4010

IMPLEMENTATION

Sears' PO writing systems only transmit Sears' unit numbers; no address information is sent. While Sears will provide you with address lists on Sears Business Exchange® that are updated once a month, we recommend that you implement the 816 transaction set to receive regular weekly updates to location address information.

Normal enveloping conventions will be used per the standards. Functional Acknowledgments (997s) are required.

ISA/GS/ST Control Numbers

Sears has discontinued sending test data for the 816 Organizational Relationships transactions.

Production control numbers for the Complete 816 SUDS list transmission and subsequent update transactions will not start with control number 0001, but the control numbers will increment by +1 each week after receipt of your first transmission. For example, you may receive the complete Retail 816 (Week 1) as ISA# 0002/GS# 0002/ST# 0002. You may receive your first Retail update 816's (Week 2) as ISA# 0005/GS# 0005/ ST# 0016. From this point forward (Week 3) your control numbers will increment by +1 for each transaction. Control numbers will fall into a pattern in about 3 to 4 weeks.

Production Files for Location Addresses

1. Live Date (always a Tuesday) - You will receive a complete initial load.
2. Following weeks (Tuesdays) - You begin receiving a weekly file with updates only.

Production Files for Location Relationships

1. First eligible 2nd Tuesday. Your Live Date. You will receive a complete Location Relationship list from the Production ISA/GS communication ID.
2. Each list will be completely refreshed on the 2nd Tuesday of the month.

Sears EDI Guidelines

816 Organizational Relationships

v4010

FILE SIZES - Location Addresses

Following is a list of the estimated number of locations in each of the complete Location Address files. Approximately 8 segments per location will be transmitted in each list.

<u>List #</u>	<u>Description</u>	<u># of Locations</u>
11	Large Retail Locations: Large retail selling locations, HIPS locations, and Central Installation Offices	1200
12	Warehouses: Retail and automotive merchandise distribution centers and warehouses; cross-dock, home and direct delivery centers	800
13	Other Retail Outlets: Small stores; appliance, paint and hardware, authorized dealers, and outlet stores	1600
14	Service Locations: Repair parts distribution centers, and residential service centers	700
15	Sears Auto Centers	900
17	Miscellaneous: Accounting, payroll, credit and logistics locations	1900
18	Combined Retail List: lists 11, 12, and 13	3600
19	Complete Directory: lists 11, 12, 13, 14, 15, and 17	7100
20	Combined Sears Auto Centers and warehouses: lists 12 and 15	1700

FILE SIZES - Location Relationships

The chart below shows the approximate number of records in each Location Relationship file. Only 1 segment per location will be transmitted in each list.

<u>List #</u>	<u>Description</u>	<u># of Records</u>
A	DDCF Direct Delivery Channel Facilities	3400
B	RRC: Retail Replenishment Centers	3200

Sears EDI Guidelines

816 Organizational Relationships

v4010

PRODUCTION 816 FORM	Date:	
	TO:	Sears 816 Set-up Coordinator
	FAX:	847-286-4296

- **Sears does not send test files for the 816 Organizational Relationship transaction. Submitting this request form results in receiving Production data.**
- Select the Location Address and Location Relationship files that you want to receive
- Enter your ISA/GS receiver ID and qualifier
- FAX the form to Sears with completed contact information
- **Remember:** Sears must receive this completed FAX form, the Wednesday before you expect to receive Production data; must be received by noon Eastern time.

LOCATION ADDRESS LISTS:

- ___ 11 - Large Retail Units
- ___ 12 - Warehouses
- ___ 13 - Other Retail Outlets
- ___ 14 - Service Units
- ___ 15 - Sears Tire Group
- ___ 17 - Miscellaneous
- ___ 18 - Combined Retail (11, 12 and 13)
- ___ 19 - Complete Directory (11, 12, 13, 14, 15 and 17)
- ___ 20 - Combined STG (12 and 15)

LOCATION RELATIONSHIP LISTS:

- ___ A - Direct Delivery Channel Facilities
- ___ B - Retail Replenishment Centers

NOTE: You may not receive Location Relationship data without receiving Location Addresses.

Location Addresses **Production Date** _____
Location Relationships **Production Date** _____
My Communications ID is: _____, **My Qualifier is:** _____
Network (VAN): _____

I authorize Sears to send the X 12 Version 816 Organizational Relationships transaction set in production mode, according to the schedule above.

Company Name: _____
Contact Name: _____
Phone Number: _____
FAX Number: _____
Email address: _____
Other divisions, subsidiaries doing business with Sears: _____

Vendor Number(s): _____

Sears EDI Guidelines

816 Organizational Relationships

v4010

Functional Group ID=**OR**

Transaction Set Table

Header

<u>Seg. ID</u>	<u>Name</u>	<u>Req. Des.</u>	<u>Max.Use</u>	<u>Loop Repeat</u>
ST	Transaction Set Header	M	.	
BHT	Beginning of Hierarchical Transaction	M	.	
LOOP ID - N1				
N1	Name	M	.	>

Detail - Company or Supergroup level

<u>Seg. ID</u>	<u>Name</u>	<u>Req. Des.</u>	<u>Max.Use</u>	<u>Loop Repeat</u>
LOOP ID - HL				
HL	Hierarchical Level	M	.	>
LOOP ID - N1				
N1	Name	M	.	

Detail - Operating Unit or Subgroup level

<u>Seg. ID</u>	<u>Name</u>	<u>Req. Des.</u>	<u>Max.Use</u>	<u>Loop Repeat</u>
LOOP ID - HL				
HL	Hierarchical Level	M	.	>
LOOP ID - N1				
N1	Name	M	.	
N2	Additional Name Information	O	.	
N3	Address Information	O	.	
N4	Geographic Location	O	.	
PER	Administrative Communications Contact	O	>	
DTM	Date/Time Reference	O	10	
ASI	Action or Status Indicator	O	.	

Continued...

Sears EDI Guidelines

816 Organizational Relationships

v4010

Detail - Member level

<u>Seg. ID</u>	<u>Name</u>	<u>Req. Des.</u>	<u>Max.Use</u>	<u>Loop Repeat</u>
	LOOP ID - HL			>
HL	Hierarchical Level	M	'	
	LOOP ID - N1			>
N1	Name	M	'	

Summary

<u>Seg. ID</u>	<u>Name</u>	<u>Req. Des.</u>	<u>Max.Use</u>	<u>Loop Repeat</u>
SE	Transaction Set Trailer	M	'	

Sears EDI Guidelines

816 Organizational Relationships

v4010

Segment: **ST** Transaction Set Header
Loop:
Level: Header
Usage: Mandatory
Max Use: 1

Data Element Summary			
<u>Ref.</u>	<u>Data</u>	<u>Name</u>	<u>Sears'</u>
<u>Des.</u>	<u>Element</u>		<u>Attributes</u>
ST01	143	Transaction Set Identifier Code 816 Organizational Relationships	M ID 3/3
ST02	329	Transaction Set Control Number	M AN 4/9

Sears EDI Guidelines

816 Organizational Relationships

v4010

Segment: **BHT** Beginning of Hierarchical Transaction
Loop:
Level: Header
Usage: Mandatory
Max Use: 1

- Notes**
1. When BHT01 contains code 0065, Location Address information is present.
 2. When BHT01 contains code 0057, Location Relationship information is present. BHT02 will always contain code 00 (Original) and the complete location list will be sent.
 3. When BHT02 contains code 04, all data about the named location/facility is to be replaced. That is, when any data about a location changes, the entire record will be transmitted. This is not used for Location Relationships.
 4. BHT03 will reference the location list identifier, e.g., list identifier 11 contains large retail stores. Refer to the Introduction for the list types.

Data Element Summary

Ref.	Data		Sears'
<u>Des.</u>	<u>Element</u>	<u>Name</u>	<u>Attributes</u>
BHT01	1005	Hierarchical Structure Code	M ID 4/4
		0057	Supergroup, subgroup, member Location Relationship Structure
		0065	Company, Operating Unit Location Address Structure
BHT02	353	Transaction Set Purpose Code	M ID 2/2
		00	Original
		04	Change
			This code is used only when BHT01 contains code 0065.
BHT03	127	Reference Identification	M AN 1/2
			Assigned by the originator. See Introduction for list identifiers.
BHT04	373	Date	M DT 8/8
			Date of creation
Not Used	BHT05	337	Time
Not Used	BHT06	640	Transaction Type Code

Sears EDI Guidelines

816 Organizational Relationships

v4010

Segment: **N1** Name
Loop: N1
Level: Header
Usage: Mandatory
Max Use: 1

- Notes**
1. There will be one occurrence of the N1 segment in the header area to identify the sender of the transaction in text or coded format.
 2. N102 will contain the value 'SEARS, ROEBUCK AND CO.'.

Data Element Summary				Sears'
Ref.	Data	Name		Attributes
Des.	Element			
	N101	98	Entity Identifier Code FR Message From	M ID 2/2
	N102	93	Name Literal 'Sears, Roebuck and Co.'	M AN 1/22
Not Used	N103	66	Identification Code Qualifier	
Not Used	N104	67	Identification Code	
Not Used	N105	706	Entity Relationship Code	
Not Used	N106	98	Entity Identifier Code	

Sears EDI Guidelines

816 Organizational Relationships

v4010

Segment: **HL** Hierarchical Level
Loop: HL
Level: Detail - Company or Supergroup
Usage: Mandatory
Max Use: 1

- Notes**
1. The HL segment is used to identify levels of detail information using a hierarchical structure. This hierarchical level will specify the company or organization for which addresses or location relationships are included in subordinate HL loops.
 2. The value in HL01 will always be 1 for the first occurrence of the HL segment in the transaction set and will be incremented by 1 for each additional occurrence of the HL segment present within the transaction set.
 3. HL02 identifies the hierarchical ID of the HL segment to which it is subordinate (child of). HL02 will be omitted for the first occurrence of the HL segment in the transaction set, since it has no parent. HL03 identifies the application context of the series of segments following the current HL segment up to the next occurrence of an HL segment, or the SE segment.
 4. The value of HL03 will be determined by the code in BHT01. If BHT01 contains code 0057 (Location Relationships), then HL03 shall contain code 24. If BHT01 contains code 0065 (Location Addresses), then HL03 shall contain code 35.

Data Element Summary

Ref.	Data		Sears'
<u>Des.</u>	<u>Element</u>	<u>Name</u>	<u>Attributes</u>
	HL01	628 Hierarchical ID Number	M AN 1/12
Not Used	HL02	734 Hierarchical Parent ID Number	
	HL03	735 Hierarchical Level Code	M ID 2/2
		24 Supergroup	
		35 Company/Corporation	
		Any company or business	
Not Used	HL04	736 Hierarchical Child Code	

Sears EDI Guidelines

816 Organizational Relationships

v4010

Segment: **N1** Name
Loop: N1
Level: Detail - Company or Supergroup
Usage: Mandatory
Max Use: 1

- Notes**
1. This segment is used to specify the corporate office name or place of business for locations specified in the associated detail loops.
 2. N102 will contain the literal 'SEARS, ROEBUCK AND CO.'.

Data Element Summary			
Ref.	Data	Name	Sears' Attributes
Des.	Element		
	N101	98 Entity Identifier Code CQ Corporate Office	M ID 2/3
	N102	93 Name Literal 'Sears, Roebuck and Co.'	M AN 1/22
Not Used	N103	66 Identification Code Qualifier	
Not Used	N104	67 Identification Code	
Not Used	N105	706 Entity Relationship Code	
Not Used	N106	98 Entity Identifier Code	

Sears EDI Guidelines

816 Organizational Relationships

v4010

Segment: **HL** Hierarchical Level
Loop: HL
Level: Detail - Operating Unit or Subgroup
Usage: Mandatory
Max Use: 1 per HL loop; HL loop may repeat per standards

- Notes**
1. When HL03 contains code 36, Location Address information is present. One occurrence of the HL loop will be present in the transaction.
 2. When HL03 contains code 25, Location Relationship information is present. One HL loop will be sent for each distribution center.

Data Element Summary			
Ref.	Data		Sears'
<u>Des.</u>	<u>Element</u>	<u>Name</u>	<u>Attributes</u>
HL01	628	Hierarchical ID Number 2 Second HL segment	M AN 1/1
HL02	734	Hierarchical Parent ID Number	M AN 1/1
HL03	735	Hierarchical Level Code 25 Subgroup 36 Operating Unit	M ID 2/2
Not Used	HL04	736 Hierarchical Child Code	

Sears EDI Guidelines

816 Organizational Relationships

v4010

Segment: **N1** Name
Loop: N1
Level: Detail - Operating Unit or Subgroup
Usage: Mandatory
Max Use: 1 per N1 loop; N1 loop may repeat per standards

- Notes**
1. Data element N104 specifies a location code for a Sears unit. The location code refers to a store, warehouse, distribution center, plant, etc.

Data Element Summary			
Ref.	Data	Name	Sears'
Des.	Element		Attributes
	N101	98 Entity Identifier Code BU Place of Business	M ID 2/2
	N102	93 Name Location addresses only	C AN 1/35
	N103	66 Identification Code Qualifier 93 Code assigned by the organization originating the transaction set	M ID 2/2
	N104	67 Identification Code 4 - 7 Location code for the Operating Unit or Subgroup	M AN 4/7
Not Used	N105	706 Entity Relationship Code	
Not Used	N106	98 Entity Identifier Code	

Sears EDI Guidelines

816 Organizational Relationships

v4010

Segment: **N2** Additional Name Information
Loop: N1
Level: Detail - Operating Unit or Subgroup
Usage: Conditional for Sears – Location Address only
Max Use: 2 per N1 loop

- Notes**
1. Sears will use this segment to send additional location name information.
 2. This segment will not be present in Location Relationship transactions or in Location Address delete transactions (ASI02 contains code 002).

Data Element Summary

<u>Ref.</u>	<u>Data</u>	<u>Name</u>	<u>Sears'</u>
<u>Des.</u>	<u>Element</u>		<u>Attributes</u>
N201	93	Name	M AN 1/35
N202	93	Name	O AN 1/35

Sears EDI Guidelines

816 Organizational Relationships

v4010

Segment: **N3** Address Information
Loop: N1
Level: Detail - Operating Unit or Subgroup
Usage: Conditional for Sears – Location Address only
Max Use: 2 per N1 loop

- Notes** 1. This segment will not be present in Location Relationship transactions or in Location Address delete transactions (AS102 contains code 002).

Data Element Summary			Sears'
<u>Ref.</u>	<u>Data</u>	<u>Name</u>	<u>Attributes</u>
<u>Des.</u>	<u>Element</u>		
N301	166	Address Information	M AN 1/35
N302	166	Address Information	O AN 1/35

Sears EDI Guidelines

816 Organizational Relationships

v4010

Segment: **N4** Geographic Location
Loop: N1
Level: Detail - Operating Unit or Subgroup
Usage: Conditional for Sears – Location Address only
Max Use: 1 per N1 loop

- Notes**
1. This segment will not be present in Location Relationship transactions or in Location Address delete transactions (ASI02 contains code 002).

Data Element Summary			
Ref.	Data		Sears'
<u>Des.</u>	<u>Element</u>	<u>Name</u>	<u>Attributes</u>
	N401	19 City Name	C AN 2/30
	N402	156 State or Province Code	C ID 2/2
	N403	116 Postal Code	C ID 3/15
Not Used	N404	26 Country Code	
Not Used	N405	309 Location Qualifier	
Not Used	N406	310 Location Identifier	

Sears EDI Guidelines

816 Organizational Relationships

v4010

Segment: **PER** Administrative Communications Contact
Loop: N1
Level: Detail - Operating Unit or Subgroup
Usage: Conditional for Sears – Location Address only
Max Use: 1 per N1 loop

- Notes** 1. This segment will not be present in Location Relationship transactions or in Location Address delete transactions (ASI02 contains code 002).

Data Element Summary				Sears'
Ref.	Data	Name		Attributes
<u>Des.</u>	<u>Element</u>			
	PER01	366	Contact Function Code IC Information Contact	M ID 2/2
Not Used	PER02	93	Name	
	PER03	365	Communication Number Qualifier TE Telephone	M ID 2/2
	PER04	364	Communication Number	M AN 1/80
	PER05	365	Communication Number Qualifier FX Facsimile	O ID 2/2
	PER06	364	Communication Number	O AN 1/80
Not Used	PER07	365	Communication Number Qualifier	
Not Used	PER08	364	Communication Number	
Not Used	PER09	443	Contact Inquiry Reference	

Sears EDI Guidelines

816 Organizational Relationships

v4010

Segment: **DTM** Date/Time Reference
Loop: N1
Level: Detail - Operating Unit or Subgroup
Usage: Conditional for Sears – Location Address only
Max Use: 3 per N1 loop

- Notes**
1. This segment may be used to specify future opening or closing dates for the location specified in the associated N1 segment or to specify the effective date of replacement data.
 2. This segment will not be present in Location Relationship transactions.

Data Element Summary				Sears'
Ref.	Data	Element	Name	Attributes
<u>Des.</u>	<u>Element</u>	<u>Name</u>		
	DTM01	374	Date/Time Qualifier	M ID 3/3
			007 Effective	
			145 Opening Date	
			146 Closing Date	
	DTM02	373	Date	M DT 8/8
Not Used	DTM03	337	Time	
Not Used	DTM04	623	Time Code	
Not Used	DTM05	1250	Date Time Period Format Qualifier	
Not Used	DTM06	1251	Date Time Period	

Sears EDI Guidelines

816 Organizational Relationships

v4010

Segment: **ASI** Action or Status Indicator
Loop: N1
Level: Detail - Operating Unit or Subgroup
Usage: Conditional for Sears – Location Address only
Max Use: 1 per N1 loop

- Notes**
1. When BHT01 contains code 0065 (Location Addresses) and BHT02 contains code 04, this segment will be present to specify the maintenance action for the location specified in the associated N1 segment.
 2. For Location Addresses, when ASI02 contains code 001, all data about the named location is to be replaced. That is, when any data about a location changes, the entire record will be transmitted.
 3. For Location Addresses, when ASI02 contains code 002 (Delete), only the N1 segment will be transmitted.
 4. For Location Addresses, ADDS, CHANGES and DELETES will be sent in one 816 transaction.
 5. This segment will not be present in Location Relationship transactions (BHT01 contains code 0057).

Data Element Summary

Ref.	Data			
<u>Des.</u>	<u>Element</u>	<u>Name</u>		<u>Attributes</u>
ASI01	306	Action Code		M ID 1/1
		2	Change (Update)	
ASI02	875	Maintenance Type Code		M ID 3/3
		001	Change	
			Replace. All data about the location is replaced.	
		002	Delete	
			Location is to be deleted.	
		021	Addition	
			New location to be added.	
Not Used	ASI03	641	Status Reason Code	

Sears EDI Guidelines

816 Organizational Relationships

v4010

Segment: **HL** Hierarchical Level
Loop: HL
Level: Detail - Member
Usage: Conditional for Sears – Location Relationship only
Max Use: 1 per HL loop; HL loop may repeat per standards

- Notes**
1. This HL loop will be present only in Location Relationships and will include the locations related to the location named in the parent HL loop.
 2. When BHT01 contains code 0057 (Location Relationships), HL03 will contain code 26.
 3. This HL level will not be present when reporting Location Addresses.

Data Element Summary			
Ref.	Data		Sears'
<u>Des.</u>	<u>Element</u>	<u>Name</u>	<u>Attributes</u>
HL01	628	Hierarchical ID Number	M AN 1/12
HL02	734	Hierarchical Parent ID Number	M AN 1/1
HL03	735	Hierarchical Level Code 26 Member	M ID 2/2
Not Used	HL04	736 Hierarchical Child Code	

Sears EDI Guidelines

816 Organizational Relationships

v4010

Segment: **N1** Name
Loop: N1
Level: Detail - Member
Usage: Conditional for Sears – Location Relationship only
Max Use: 1 per N1 loop; N1 loop may repeat per standards

- Notes**
1. This segment will be present only in Location Relationships (BHT01 contains code 0057) to specify the locations related to the location named in the parent HL loop. The Member level will not be present when reporting Location Addresses.

Data Element Summary				Sears'
Ref.	Data	Name		Attributes
<u>Des.</u>	<u>Element</u>	<u>Name</u>		
	N101	98	Entity Identifier Code BU Place of Business	M ID 2/3
Not Used	N102	93	Name	
	N103	66	Identification Code Qualifier 93 Code assigned by the organization originating the transaction set	M ID 2/2
	N104	67	Identification Code 4 - 7 Location code for the member unit	M AN 4/7
Not Used	N105	706	Entity Relationship Code	O ID 2/2
Not Used	N106	98	Entity Identifier Code	O ID 2/3

Sears EDI Guidelines

816 Organizational Relationships

v4010

Segment: **SE** Transaction Set Trailer
Loop:
Level: Summary
Usage: Mandatory
Max Use: 1

- Notes**
1. SE01 is a count of the total number of segments present in the transaction, including the control segments.
 2. SE02 will always match the number in ST02.

Data Element Summary

<u>Ref.</u>	<u>Data</u>		<u>Sears'</u>
<u>Des.</u>	<u>Element</u>	<u>Name</u>	<u>Attributes</u>
SE01	96	Number of Included Segments	M NO 1/10
SE02	329	Transaction Set Control Number	M AN 4/9

Sears EDI Guidelines

816 Organizational Relationships

v4010

Segment Usage Examples

Location Addresses - Initial Load (Full List)

ST*816*Control number

BHT*0065*Transaction Set Purpose Code*Location list code*Date

[Transaction purpose, list number, Creation date]

N1*FR*SEARS, ROEBUCK AND CO.

[Sender]

HL*1**35

[**Company** level; one occurrence only]

N1*CQ*SEARS, ROEBUCK AND CO.

[Company Name]

HL*2*1*36

[Begins **Operating Unit** loop; one occurrence only]

N1*BU*Location Name*93*Store number

[Location information; repeats the N1 loop once for

each location record within the HL loop]

N2*Store name

[Additional name information]

N3*Street address line 1*Street address line 2

[Two line street address]

N4*City name*State code*Zip code

[City, state and zip]

PER*IC**TE*Telephone number*FX*Facsimile number

[Phone number, FAX number]

DTM*Qualifier*Date

[Store opening date]

SE*Count of segments*Control number

Sears EDI Guidelines

816 Organizational Relationships

v4010

Segment Usage Examples

Location Addresses - Change Activity

ST*816*Control number
BHT*0065*Transaction Set Purpose Code*Location list code*Date
[Transaction purpose, list number, Creation date]
N1*FR*SEARS, ROEBUCK AND CO. [Sender]

HL*1**35 [Company level; one occurrence only]
N1*CQ*SEARS, ROEBUCK AND CO. [Company Name]

HL*2*1*36 [Begins **Operating Unit** level; one occurrence only]
N1*BU*Location Name*93*Store number [Location information; repeats once for each location record within the HL loop]
N2*Store name [Additional name information]
N3*Street address line 1*Street address line 2 [Two line street address]
N4*City name*State code*Zip code [City, state and zip]
PER*IC**TE*Telephone number*FX*Facsimile number [Phone number, FAX number]
DTM*Qualifier*Date [Opening date or effective date of change]
ASI*2*Maintenance Code [Action code, Maintenance type code for additions and 'replace'/changes]

N1*BU*Location Name*93*Store number [Location name and number]
DTM*Qualifier*Date [Closing date]
ASI*2*002 [Action code, Delete maintenance type code]

SE*Count of segments*Control number

Sears EDI Guidelines

816 Organizational Relationships

v4010

Segment Usage Examples

Location Relationships

ST*816*Control number

BHT*0057*Transaction Set Purpose Code*Location list code*Date

[Transaction purpose, list code, Creation date]

N1*FR*SEARS, ROEBUCK AND CO.

[Sender]

HL*1**24

[**Supergroup** level; one occurrence only]

N1*CQ*SEARS, ROEBUCK AND CO.

[Supergroup Name]

HL*Sequence number*1*25

[Begins **Subgroup** level loop; one occurrence for each distribution center]

N1*BU**93*Location number

[Distribution center unit number]

HL*Sequence number*Parent HL*26

[Begins Related (**Member**) Location level; one occurrence for a parent HL Subgroup]

N1*BU**93*Location number

[Related Location number; repeats once for each Related Location record within the HL loop]

SE*Count of segments*Control number