

HOME SHOPPING NETWORK
B2B Supplier Data Exchange
Vendor File Layout Specification
Shipment Confirmation (856) – EDI Format
ANSI Standard Version 4010

VERSION 1 - 03/23/06

Table of contents

Table of contents..... 2
Audience 3
Overview..... 3
SEGMENT ISA - INTERCHANGE CONTROL HEADER 3
SEGMENT GS - FUNCTION GROUP HEADING 6
SEGMENT ST - TRANSACTION SET HEADER 7
SEGMENT BSN - BEGINNING SEGMENT FOR SHIP NOTICE 8
SEGMENT HL - HIERARCHICAL LEVEL..... 9
SEGMENT LIN – ITEM IDENTIFICATION 10
SEGMENT PRF - PURCHASE ORDER REFERENCE..... 11
SEGMENT REF - REFERENCE NUMBERS..... 12
SEGMENT REF - REFERENCE NUMBERS..... 13
SEGMENT DTM - DATE/TIME REFERENCE 14
SEGMENT N1 - NAME..... 15
SEGMENT SAC - ALLOWANCE, CHARGE, OR SERVICE..... 16
SEGMENT CTT - TRANSACTION TOTALS 18
SEGMENT SE - TRANSACTION SET TRAILER 19
SEGMENT GE - FUNCTIONAL GROUP TRAILER 20
SEGMENT IEA - INTERCHANGE CONTROL TRAILER 21
TRANSACTION LAYOUT..... 22
SAMPLE TRANSACTION..... 23

Audience

This document is written and intended for HSN drop-ship Vendors and/or users of the HSN B2B Supplier Data Exchange Services. Some knowledge of EDI transactional documents in EDI, CSV and XML formats is required.

Overview

This document is a subset of the ANSI Standard 856, the segments contained in this document are used by HSN for **Drop Ship** shipment confirmation. This document outlines the required EDI format for all incoming Shipment Confirmation (856) transactional documents to the HSN B2B Supplier Data Exchange Service. The Shipment Confirmation (856) transactional type is used by HSN drop-ship vendors to submit Shipment Confirmations to the HSN B2B Supplier Data Exchange Service.

Note: HSN Request that you use a ~ "7E" as a Segment terminator.

SEGMENT ISA - INTERCHANGE CONTROL HEADER

PURPOSE

To start and identify an interchange of one or more functional groups and interchange-related control segments.

HSN SUBSET OF EDI STANDARD SEGMENT

Same as the EDI Standard Segment

ELEMENT NUMBER	ELEMENT NAME/DESCRIPTION	ELEMENT ATTRIBUTES	COMMENTS
ISA	SEGMENT IDENTIFIER		"ISA"
I01 001	AUTHORIZATION INFORMATION QUALIFIER Code to identify the type of information in the Authorization Information.	(M IS 2/2)	"00"
I02 002	AUTHORIZATION INFORMATION Information used for additional identification or authorization of the sender or the data in the interchange. The type of information is set by the Authorization Information Qualifier.	(M AN 10/10)	blank

DROP SHIP

I03	003	SECURITY COMMUNICATION QUALIFIER Code to identify the type of information in the Security Information.	(M ID 2/2)	“ 00 “
I04	004	SECURITY INFORMATION This is used for identifying the security information about the sender of the data in the interchange. The type of information is set by the Security Information Qualifier.	(M AN 10/10)	blank
I05	005	INTERCHANGE ID QUALIFIER Qualifier to designate the system/method of code structure used to designate the sender or receiver ID element being qualified.	(M ID 2/2)	Your interchange qualifier.
I06	006	INTERCHANGE SENDER ID Identification code published by the sender for other parties to use as the receiver ID to route data to them. The sender always codes this number in the sender ID element.	(M ID 15/15)	Your interchange ID.
I05	007	INTERCHANGE ID QUALIFIER Qualifier to designate the system/method of code structure used to designate the sender or receiver ID element being qualified.	(M ID 2/2)	HSN interchange qualifier. “ 01 “
I07	008	INTERCHANGE RECEIVER ID Identification code published by the sender for other parties to use as the receiver ID to route data to them. The sender always codes this number in the sender ID element.	(M ID 15/15)	HSN interchange ID. “ 076902113 “ “076902113T” (for testing)
I08	009	INTERCHANGE DATE	(M DT 6/6)	Interchange creation date (YYMMDD)
I09	010	INTERCHANGE TIME	(M TM 4/4)	Interchange creation time. HHMM
I10	011	INTERCHANGE CONTROL STANDARDS IDENTIFIER Code to identify the agency responsible for the control standard used by the message that is enclosed by the interchange header and trailer.	(M ID 1/1)	“ U “
I11	012	INTERCHANGE CONTROL VERSION NUMBER This version number covers the interchange control segments and the functional group control segments.	((M ID 5/5)	“ 00401 “

DROP SHIP

I12	013	INTERCHANGE CONTROL NUMBER This number uniquely identifies the interchange data to the sender.	(M NO 9/9)	Your sequential number
I13	014	ACKNOWLEDGMENT REQUESTED Code sent by the sender to request an interchange acknowledgment.	(M ID 1/1)	“ 0 ”
I14	015	TEST INDICATOR Code to indicate whether data enclosed by this interchange envelope is test or production.	(M ID 1/1)	“ P ” = production “ T ” = test
I15	016	SUBELEMENT SEPARATOR	(M AN 1/1)	“ > ”

SEGMENT GS - FUNCTION GROUP HEADING

PURPOSE

To indicate the beginning of a functional group and to provide control information.

EDI STANDARD SEGMENT

GS	*	479	*	142	*	124	*	29	*	30	*	28	*
		455	*	480	*	~							

HSN SUBSET OF EDI STANDARD SEGMENT

Same as the EDI Standard Segment.

ELEMENT NUMBER	ELEMENT NAME/DESCRIPTION	ELEMENT ATTRIBUTES	COMMENTS
GS	SEGMENT IDENTIFIER		“GS”
479 001	FUNCTIONAL IDENTIFIER CODE Code identifying a group of related Transaction Sets.	(M ID 2/2)	“SH”
142 002	APPLICATION SENDER’S CODE Code identifying sending party.	(M AN 2/15)	Your interchange ID.
124 003	APPLICATION RECEIVER’S CODE Code identifying receiving party.	(M AN 2/15)	HSN interchange ID “076902113” “076902113T” (for testing)
29 004	GROUP DATE Date sender generated a group of transaction sets.	(M DT 8/8)	Your system date when group was created (CCYYMMDD).
30 005	GROUP TIME Time when the sender generated a group of transaction sets	(M TM 4/4)	Your local time when group was generated (HHMM).
28 006	GROUP CONTROL NUMBER Assigned number originated and maintained by the sender.	(M ID 1/9)	Your sequential number
455 007	RESPONSIBLE AGENCY CODE. Code used in conjunction with Data Element 480 to identify the issuer of the standard.	(M ID 1/2)	“ X “ for ASC X12.
480 008	VERSION/RELEASE/INDUSTRY ID CODE Version and release information of the EDI standard being used.	(M ID 1/12)	“ 004010 “ version number

SEGMENT ST - TRANSACTION SET HEADER

PURPOSE

To indicate the start of a transaction set and to assign a control number.

EDI STANDARD SEGMENT

ST * 143 * 329 ~

HSN SUBSET OF EDI STANDARD SEGMENT

Same as EDI Standard Segment above.

ELEMENT NUMBER	ELEMENT NAME/DESCRIPTION	ELEMENT ATTRIBUTES	COMMENTS
ST	SEGMENT IDENTIFIER		"ST"
143	TRANSACTION SET IDENTIFIER CODE Code uniquely identifying a transaction set.	(M AN 3/3)	"856"
329	TRANSACTION SET CONTROL NUMBER Identifying control number assigned by the originator for a transaction set.	(M AN 4/9)	Unique control number identifying this transmission.

SEGMENT BSN - BEGINNING SEGMENT FOR SHIP NOTICE

PURPOSE

To transmit identifying numbers, dates and other basic data relating the transaction set.

ELEMENT NUMBER	ELEMENT NAME/DESCRIPTION	ELEMENT ATTRIBUTES	COMMENTS
BSN	SEGMENT IDENTIFIER		"BSN"
353 001	TRANSACTION SET PURPOSE CODE Code identifying purpose of transaction set.	(M ID 2/2)	"00"
396 002	SHIPMENT IDENTIFICATION A unique control number assigned by the original shipper to identify a specific shipment.	(M AN 2/30)	Your warehouse and order number.
373 003	DATE	(M DT 8/8)	Date order shipped CCYYMMDD
337 004	TIME	(M TM 4/6)	Local time in 24 hour format HHMM

SEGMENT HL - HIERARCHICAL LEVEL

PURPOSE

To identify dependencies among and the context of hierarchically related groups of data segments.

ELEMENT NUMBER	ELEMENT NAME/DESCRIPTION	ELEMENT ATTRIBUTES	COMMENTS
HL	SEGMENT IDENTIFIER		"HL"
628 001	HIERARCHICAL ID NUMBER A unique number assigned by the sender to identify a particular data segment in a hierarchical structure.	(M AN 1/12)	Sequential number for each HL segment
734 002	HIERARCHICAL PARENT ID NUMBER	(O AN 1/12)	**NOT USED**
735 003	HIERARCHICAL LEVEL CODE Code defining the characteristic of a level in a hierarchical structure.	(M ID 1/2)	" I " = Item
736 004	HIERARCHICAL CHILD CODE Code indicating whether if there are hierarchical child data segments subordinate to the level being described.	(O ID 1/1)	" 0 " (No subordinate HL segments)

SEGMENT LIN – ITEM IDENTIFICATION

PURPOSE

To provide information relative to item information.

EDI STANDARD SEGMENT

LIN	*	350	*	235	*	234	*	235	*	234	*	235	*
		234	*	235	*	234	*	235	*	234	*	235	*
		234	~										

HSN SUBSET OF EDI STANDARD SEGMENT

LIN	*		*	235	*	234	~
-----	---	--	---	-----	---	-----	---

ELEMENT NUMBER	ELEMENT NAME/DESCRIPTION	ELEMENT ATTRIBUTES	COMMENTS
350 001	ASSIGNED IDENTIFICATION	(O AN 1/20)	**NOT USED**
235 002	PRODUCT SERVICE ID/QUAL	(M ID 2/2)	HSN Mandatory 'IT'
234 003	PRODUCT SERVICE ID	(M AN 1/48)	HSN Mandatory HSN Item Number (from 850 P0109)

SEGMENT PRF - PURCHASE ORDER REFERENCE

PURPOSE

To provide reference to a specific purchase order.

EDI STANDARD SEGMENT

PRF * 324 * 328 * 327 * 323 * 350 *
367 ~ 92 ~

HSN SUBSET OF EDI STANDARD SEGMENT

PRF * 324 * 328 * | * | * 350 ~

ELEMENT NUMBER	ELEMENT NAME/DESCRIPTION	ELEMENT ATTRIBUTES	COMMENTS
PRF	SEGMENT IDENTIFIER		“PRF”
324 001	PURCHASE ORDER NUMBER Identifying number for Purchase Order assigned by the order/purchaser.	(M AN 1/22)	HSN Mandatory Purchase Order number (from 850 BEG 03)
328 002	RELEASE NUMBER Number identifying a release against a Purchase Order previously placed by the parties involved in the transaction.	(O AN 1/30)	Your sequential number
327 003	CHANGE ORDER SEQUENCE NUMBER	(O AN 1/8)	**NOT USED**
323 004	PURCHASE ORDER DATE	(O DT 6/6)	**NOT USED**
350 005	ASSIGNED IDENTIFICATION Alphanumeric characters assigned for differentiation within a transaction set.	(O AN 1/20)	HSN Line number, if applicable (from 850 PO1 01) (Length = 2, zero filled)
367 006	CONTRACT NUMBER	(O AN 1/30)	**NOT USED**
92 007	PURCHASE ORDER TYPE CODE	(O ID 2/2)	**NOT USED**

SEGMENT REF - REFERENCE NUMBERS

PURPOSE

To specify pertinent numbers and types.

EDI STANDARD SEGMENT

REF * 128 * 127 * 352 ~

HSN SUBSET OF EDI STANDARD SEGMENT

REF * 128 * 127 ~

ELEMENT NUMBER	ELEMENT NAME/DESCRIPTION	ELEMENT ATTRIBUTES	COMMENTS
REF	SEGMENT IDENTIFIER		"REF"
128 001	REFERENCE NUMBER QUALIFIER Code specifying type of reference number	(M ID 2/3)	"CN"
127 002	REFERENCE NUMBER Carrier Assigned Package Identification Number	(C AN 1/30)	CARRIERS TRACKING NUMBER Note: if you do not have an actual UPS, USPS or other approved carrier tracking number, please leave this element blank.
352 003	DESCRIPTION	(C AN 1/80)	**NOT USED**

SEGMENT REF - REFERENCE NUMBERS

PURPOSE

To specify pertinent numbers and types.

EDI STANDARD SEGMENT

REF * 128 * 127 * 352 ~

HSN SUBSET OF EDI STANDARD SEGMENT

REF * 128 * 127 ~

ELEMENT NUMBER	ELEMENT NAME/DESCRIPTION	ELEMENT ATTRIBUTES	COMMENTS
REF	SEGMENT IDENTIFIER		"REF"
128 001	REFERENCE NUMBER QUALIFIER Code specifying type of reference number	(M ID 2/3)	"IV"
127 002	REFERENCE NUMBER Vendor assigned Invoice Number	(C AN 1/30)	Invoice Number
352 003	DESCRIPTION	(C AN 1/80)	**NOT USED**

SEGMENT DTM - DATE/TIME REFERENCE

PURPOSE

To specify pertinent dates and times.

EDI STANDARD SEGMENT

DTM * 374 * 373 * 337 * 623 * 624 ~

HSN SUBSET OF EDI STANDARD SEGMENT

DTM * 374 * 373 ~

ELEMENT NUMBER	ELEMENT NAME/DESCRIPTION	ELEMENT ATTRIBUTES	COMMENTS
DTM	SEGMENT IDENTIFIER		"DTM"
374 001	DATE/TIME QUALIFIER Code specifying type of date or time, or both date and time.	(M ID 3/3)	" 011 "
373 002	DATE Date.	(C DT 8/8)	HSN Mandatory Shipping date (CCYYMMDD)
337 003	TIME	(C TM 4/6)	**NOT USED**
623 004	TIME CODE	(O ID 2/2)	**NOT USED**
624 005	CENTURY	(O NO 2/2)	**NOT USED**

SEGMENT N1 - NAME

PURPOSE

To specify identifying numbers.

EDI STANDARD SEGMENT

N1 * 98 * 93 * 66 * 67 ~

HSN SUBSET OF EDI STANDARD SEGMENT

N1 * 128 * 127 * 66 * 67 ~

ELEMENT NUMBER	ELEMENT NAME/DESCRIPTION	ELEMENT ATTRIBUTES	COMMENTS
N1	SEGMENT IDENTIFIER		" N1 "
98 001	ENTITY IDENTIFIER CODE	(M ID 2/3)	" VN " = Vendor
93 002	NAME Free form name.	(C ID 1/60)	Name of Vendor
66 003	IDENTIFICATION CODE QUALIFIER Reference number or identification number as defined for a particular Transaction Set. or as specified by the Reference Number Qualifier.	(C AN 1/2)	" 92 " = Assigned by Buyer
67 004	IDENTIFICATION CODE A free form description to clarify the related data elements and their content.	(C AN 2/80)	HSN Internal Vendor Number (from BEG04 on original PO)

SEGMENT SAC - ALLOWANCE, CHARGE, OR SERVICE

PURPOSE

To specify allowances, charges or services.

EDI STANDARD SEGMENT

SAC	*	248	*	1300	*	559	*	1301	*	610	*
		378	*	332	*	118	*	355	*	380	*
		380	*	331	*	127	*	770	*	352	~

HSN SUBSET OF EDI STANDARD SEGMENT

SAC	*	248	*	1300	*	*	*	610	*	*	*	*	*	*	*
	*	*	*	*	*	*	*	~	*	*	*	*	*	*	

ELEMENT NUMBER	ELEMENT NAME/DESCRIPTION	ELEMENT ATTRIBUTES	COMMENTS
SAC	SEGMENT IDENTIFIER		"SAC"
248 001	ALLOWANCE/CHARGE INDICATOR Code which indicates an allowance or charge for the service specified.	(M ID 1/1)	HSN " C "
1300 002	SERVICE,PROMOTION,ALLOW CHARGE CODE	(M ID 4/4)	HSN "G830" = Shipping & Handling
559 003	AGENCY QUALIFIER CODE	(C ID 2/2)	**NOT USED**
1301 004	AGENCY SERVICE, PROMOTION, ALLOWANCE, or CHARGE CODE Code indicating method of handling for an allowance or charge.	(C ID 1/10)	**NOT USED**
610 005	ALLOWANCE/CHARGE TOTAL AMOUNT Total dollar amount for the allowance or charge.	(O N2 1/15)	HSN Total of charges (2 decimals implied)
378 006	ALLOWANCE/CHARGE PERCENT QUALIFIER	(O R 1/1)	**NOT USED**
332 007	PERCENT	(O N2 1/9)	**Not USED**
118 008	RATE	(O ID 1/1)	**NOT USED**
355 009	UOM CODE	(C R 1/6)	**NOT USED**
380 010	QUANTITY	(O R 1/15)	**NOT USED**
380 011	QUANTITY	(O R 1/15)	**NOT USED**
380 012	ALLOWANCE/CHARGE METHOD OF HANDLING CODE Code indicating method of handling for an allowance or charge.	(O ID 2/2)	**Not USED**

DROP SHIP

352	013	REFERENCE IDENTIFICATION	(C AN 1/30)	**NOT USED**
150	014	OPTION NUMBER	(O AN 1/20)	**NOT USED**
352	015	DESCRIPTION Free form description to clarify the related data elements and their content.	(C AN 1/80)	**Not Used**

SEGMENT CTT - TRANSACTION TOTALS

PURPOSE

To transmit a hash total for a specific element in the transaction set.

EDI STANDARD SEGMENT

CTT * 354 * 347 * 81 * 355 * 183 *
 355 * 352 ~

HSN SUBSET OF EDI STANDARD SEGMENT

CTT * 354 ~

ELEMENT NUMBER	ELEMENT NAME/DESCRIPTION	ELEMENT ATTRIBUTES	COMMENTS
CTT	SEGMENT IDENTIFIER		"CTT"
354 001	NUMBER OF LINE ITEMS Total number of line items in the transaction set.	(M N0 1/6)	ANSI Mandatory Number of HL segments in the Transaction Set.
347 002	HASH TOTAL	(O R 1/10)	**NOT USED**
81 003	WEIGHT	(C R 1/10)	**NOT USED**
355 004	UNIT OF MEASUREMENT CODE	(C ID 2/2)	**NOT USED**
183 005	VOLUME	(O R 1/8)	**NOT USED**
355 006	UNIT OF MEASUREMENT CODE	(C ID 2/2)	**NOT USED**
352 007	DESCRIPTION	(O AN 1/80)	**NOT USED**

SEGMENT SE - TRANSACTION SET TRAILER

PURPOSE

To indicate the end of the transaction set and provide the count of the transmitted segments including the beginning ST and ending SE segments.

EDI STANDARD SEGMENT

SE * 96 * 329 ~

HSN SUBSET OF EDI STANDARD SEGMENT

Same as EDI Standard Segment.

ELEMENT NUMBER	ELEMENT NAME/DESCRIPTION	ELEMENT ATTRIBUTES	COMMENTS
SE	SEGMENT IDENTIFIER		"SE"
96 001	NUMBER OF INCLUDED SEGMENTS Total number of segments included in a transaction set including the ST and SE segments.	(M N0 1/6)	Total number of segments included in the transaction set.
329 002	TRANSACTION SET CONTROL NUMBER Identifying control number assigned by the originator for a transaction set.	(M AN 4/9)	This is the same number as in the preceding ST segment.

SEGMENT GE - FUNCTIONAL GROUP TRAILER

PURPOSE

To indicate the end of a functional group and to provide control.

EDI STANDARD SEGMENT

GE * 97 * 28 ~

HSN SUBSET OF EDI STANDARD SEGMENT

Same as EDI Standard Segment

ELEMENT NUMBER	ELEMENT NAME/DESCRIPTION	ELEMENT ATTRIBUTES	COMMENTS
GE	SEGMENT IDENTIFIER		" GE "
97 001	NUMBER OF TRANSACTION SETS INCLUDED. Count of ST segments within the Group.	(M N0 1/6)	Total number of transaction sets included in the GS - GE group.
28 002	GROUP CONTROL NUMBER Assigned number originated and maintained by the sender.	(M N0 1/9)	Same number as in GS segment (data element 06)

SEGMENT IEA - INTERCHANGE CONTROL TRAILER

PURPOSE

To define the end of an interchange of one or more functional groups and interchange-related control segments.

EDI STANDARD SEGMENT

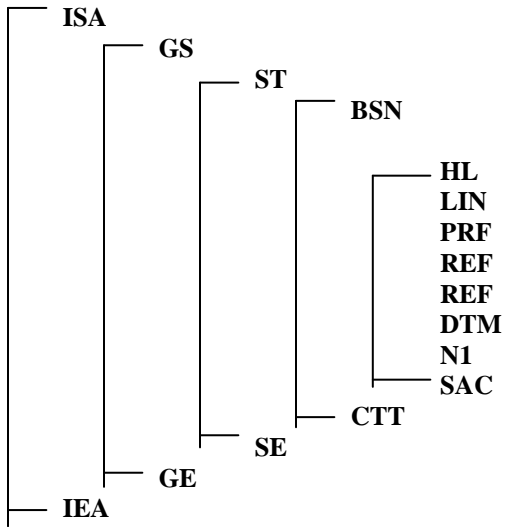
IEA * I16 * I12 ~

HSN SUBSET OF EDI STANDARD SEGMENT

Same as EDI Standard Segment.

ELEMENT NUMBER	ELEMENT NAME/DESCRIPTION	ELEMENT ATTRIBUTES	COMMENTS
IEA	SEGMENT IDENTIFIER		" IEA "
I16 001	NUMBER OF INCLUDED FUNCTIONAL GROUPS A count of the number of included groups included in a transmission.	(M N0 1/5)	Count of the GS segments in the transmission.
I12 002	INTERCHANGE CONTROL NUMBER Number that uniquely identifies the interchange data. It is assigned by the sender.	(M N0 9/9)	Same number as in the ISA segment (data element 13)

TRANSACTION LAYOUT



SAMPLE TRANSACTION

ISA*00* *00* *12*1138946079 *01*076902113
*000509*0300*U*00401*000000836*0*P*:
GS*SH*1138946079*076902113*000509*0300*836*X*004010
ST*856*8360001
BSN*00*356846*20000508*2110
HL*1**I*0
LIN**IT*1273944567891235A
PRF*426574644
REF*CN*1Z2X49X40342112648
REF*IV*356846
DTM*011*20000508
N1*VN*Frosty Cone*92*097120
SAC*C*G830***800
CTT*1
SE*12*8360001
ST*856*8360002
BSN*00*356856*20000508*2110
HL*1**I*0
LIN**IT*1273949876542567B
PRF*426574662
REF*CN*1Z2X49X40340776453
REF*IV*356856
DTM*011*20000508
N1*VN*Frosty Cone*92*097120
SAC*C*G830***800
CTT*1
SE*12*8360002
ST*856*8360003
BSN*00*356857*20000508*2110
HL*1**I*0
LIN**IT*127394
PRF*426574666
REF*CN*1Z2X49X40342355065
REF*IV*356857
DTM*011*20000508
N1*VN*Frosty Cone*92*097120
SAC*C*G830***800
CTT*1
SE*12*8360003
ST*856*8360004
BSN*00*356859*20000508*2110
HL*1**I*0
LIN**IT*127394
PRF*426574670
REF*CN*1Z2X49X40340912680
REF*IV*356859
DTM*011*20000508
N1*VN*Frosty Cone*92*097120
SAC*C*G830***800
CTT*1
SE*12*8360004
GE*4*836
IEA*1*000000836