

HOME SHOPPING NETWORK

B2B Supplier Data Exchange

Vendor File Layout Specification

Drop Ship Purchase Order (850) – EDI Format

ANSI Standard Version 4010

VERSION 2.3 – 03/13/06

Table of contents

ANSI Standard Version 4010 1
Table of contents 2
Audience 3
Overview 3
SEGMENT ISA - INTERCHANGE CONTROL HEADER 3
SEGMENT GS - FUNCTION GROUP HEADING 5
SEGMENT ST - TRANSACTION SET HEADER 6
SEGMENT BEG - BEGINNING SEGMENT FOR PURCHASE ORDER 7
SEGMENT REF - REFERENCE NUMBERS 8
SEGMENT REF - REFERENCE NUMBERS 9
SEGMENT PO1 - PO BASELINE ITEM DETAIL 11
SEGMENT CTP - PRICING INFORMATION 13
SEGMENT PID - PRODUCT/ITEM DESCRIPTION 14
SEGMENT SAC - ALLOWANCE, CHARGE, OR SERVICE 15
SEGMENT TD5 - CARRIER DETAILS (ROUTING SEQUENCE) 17
SEGMENT MAN – MARKS AND NUMBERS 19
SEGMENT N1 - NAME 20
SEGMENT N3 - ADDRESS INFORMATION 21
SEGMENT N4 - GEOGRAPHIC INFORMATION 22
SEGMENT REF - REFERENCE NUMBERS 23
SEGMENT MSG – MESSAGE TEXT 24
SEGMENT MSG – MESSAGE TEXT 25
SEGMENT CTT - TRANSACTION TOTALS 26
SEGMENT SE - TRANSACTION SET TRAILER 27
SEGMENT GE - FUNCTIONAL GROUP TRAILER 28
SEGMENT IEA - INTERCHANGE CONTROL TRAILER 29
TRANSACTION LAYOUT 30
SAMPLE TRANSACTION 31

Audience

This document is written and intended for HSN drop-ship Vendors and/or users of the HSN B2B Supplier Data Exchange Services. Some knowledge of EDI transactional documents in EDI, CSV and XML formats is required.

Overview

This document is a subset of the ANSI Standard 850, the segments contained in this document are used by HSN for **Drop Ship** Purchase Orders. This document outlines the required EDI format for all outgoing Drop Ship Purchase Orders (850) transactional documents from the HSN B2B Supplier Data Exchange Service. The Drop Ship Purchase Order (850) transactional type is used by HSN drop-ship vendors to download Drop Ship Purchase Orders from the HSN B2B Supplier Data Exchange Service.

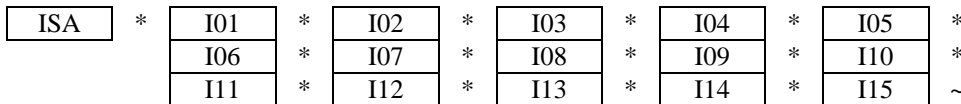
Note: HSN Request that you use a ~ "7E" as a Segment terminator.

SEGMENT ISA - INTERCHANGE CONTROL HEADER

PURPOSE

To start and identify an interchange of one or more functional groups and interchange-related control segments.

EDI STANDARD SEGMENT



HSN SUBSET OF EDI STANDARD SEGMENT

Same as the EDI Standard Segment

ELEMENT NUMBER	ELEMENT NAME/DESCRIPTION	ELEMENT ATTRIBUTES	COMMENTS
ISA	SEGMENT IDENTIFIER		"ISA"
I01 001	AUTHORIZATION INFORMATION QUALIFIER Code to identify the type of information in the Authorization Information.	(M IS 2/2)	" 00 "
I02 002	AUTHORIZATION INFORMATION Information used for additional identification or authorization of the sender or the data in the interchange.	(M AN 10/10)	blank

DROP SHIP

I03	003	SECURITY COMMUNICATION QUALIFIER Code to identify the type of information in the Security Information.	(M ID 2/2)	“ 00 “
I04	004	SECURITY INFORMATION This is used for identifying the security information about the sender of the data in the interchange.	(M AN 10/10)	blank
I05	005	INTERCHANGE ID QUALIFIER Qualifier to designate the system/method of code structure used to designate the sender or receiver ID element being qualified.	(M ID 2/2)	HSN interchange qualifier. “ 01 “
I06	006	INTERCHANGE SENDER ID Identification code published by the sender for other parties to use as the receiver ID to route data to them. The sender always codes this number in the sender ID element.	(M ID 15/15)	HSN interchange ID. “ 076902113 “ “076902113T” (for testing)
I05	007	INTERCHANGE ID QUALIFIER Qualifier to designate the system/method of code structure used to designate the sender or receiver ID element being qualified.	(M ID 2/2)	Your interchange qualifier.
I07	008	INTERCHANGE RECEIVER ID Identification code published by the sender for other parties to use as the receiver ID to route data to them.	(M ID 15/15)	Your interchange ID.
I08	009	INTERCHANGE DATE Date of the interchange.	(M DT 6/6)	Interchange creation date (YYMMDD)
I09	010	INTERCHANGE TIME Time of the interchange	(M TM 4/4)	Interchange creation time. HHMM
I10	011	INTERCHANGE CONTROL STANDARDS IDENTIFIER Code to identify the agency responsible for the control standard used..	(M ID 1/1)	“ U “
I11	012	INTERCHANGE CONTROL VERSION NUMBER Version number covers the interchange control segments and functional group control segments.	((M ID 5/5)	“ 00401 “
I12	013	INTERCHANGE CONTROL NUMBER The number uniquely identifies the interchange data to the sender.	(M N0 9/9)	HSN sequential number
I13	014	ACKNOWLEDGMENT REQUESTED Code sent to request an interchange acknowledgment.	(M ID 1/1)	“ 0 “
I14	015	TEST INDICATOR Code to indicate whether data enclosed by this interchange envelope is test or production.	(M ID 1/1)	“ P “ = production “ T “ = test
I15	016	SUBELEMENT SEPARATOR	(M AN 1/1)	“ > ”

SEGMENT GS - FUNCTION GROUP HEADING

PURPOSE

To indicate the beginning of a functional group and to provide control information.

EDI STANDARD SEGMENT

GS	*	479	*	142	*	124	*	29	*	30	*	28	*
		455	*	480	~								

HSN SUBSET OF EDI STANDARD SEGMENT

Same as the EDI Standard Segment.

ELEMENT NUMBER	ELEMENT NAME/DESCRIPTION SEGMENT IDENTIFIER	ELEMENT ATTRIBUTES	COMMENTS
GS			“GS”
479 001	FUNCTIONAL IDENTIFIER CODE Code identifying a group of application related Transaction Sets.	(M ID 2/2)	“ PO “
142 002	APPLICATION SENDER’S CODE Code identifying sending party.	(M AN 2/15)	HSN interchange ID. “ 076902113 “ “076902113T” (for testing)
124 003	APPLICATION RECEIVER’S CODE Code identifying receiving party.	(M AN 2/15)	Your interchange ID.
29 004	GROUP DATE Date sender generated a group of transaction sets.	(M DT 8/8)	System date when group was created (CCYYMMDD).
30 005	GROUP TIME Time when the sender generated a functional group of transaction sets	(M TM 4/4)	Local time when group was generated (HHMM).
28 006	GROUP CONTROL NUMBER Assigned number originated and maintained by the sender.	(M ID 1/9)	HSN sequential number
455 007	RESPONSIBLE AGENCY CODE. Code used in conjunction with Data Element 480 to identify the issuer of the standard.	(M ID 1/2)	“ X “ for ASC X12.
480 008	VERSION/RELEASE/INDUSTRY ID CODE Version and release information of the EDI standard being used.	(M ID 1/12)	“ 004010 “

SEGMENT ST - TRANSACTION SET HEADER

PURPOSE

To indicate the start of a transaction set and to assign a control number.

EDI STANDARD SEGMENT

ST * 143 * 349 ~

HSN SUBSET OF EDI STANDARD SEGMENT

Same as EDI Standard Segment above.

ELEMENT NUMBER	ELEMENT NAME/DESCRIPTION	ELEMENT ATTRIBUTES	COMMENTS
ST	SEGMENT IDENTIFIER		"ST"
143 001	TRANSACTION SET IDENTIFIER CODE Code uniquely identifying a transaction set.	(M AN 3/3)	"850"
329 002	TRANSACTION SET CONTROL NUMBER Identifying control number assigned by the originator for a transaction set.	(M AN 4/9)	Unique control number identifying this transmission.

SEGMENT BEG - BEGINNING SEGMENT FOR PURCHASE ORDER

PURPOSE

To indicate the beginning of the purchase order transaction set and transmit identifying numbers and dates.

EDI STANDARD SEGMENT

BEG	*	353	*	92	*	324	*	328	*
		323	*	367	*	587	*	1019	~

HSN SUBSET OF EDI STANDARD SEGMENT

BEG	*	353	*	92	*	324	*	328	*	323	*	367	~
-----	---	-----	---	----	---	-----	---	-----	---	-----	---	-----	---

ELEMENT NUMBER	ELEMENT NAME/DESCRIPTION SEGMENT IDENTIFIER	ELEMENT ATTRIBUTES	COMMENTS
BEG			"BEG"
353 001	TRANSACTION SET PURPOSE CODE Code identifying purpose of transaction set.	(M ID 2/2)	"00" = Original "04" = Change
92 002	PURCHASE ORDER TYPE CODE Code specifying the type of P O	(M ID 2/2)	"SA"
324 003	PURCHASE ORDER NUMBER Identifying number assigned by the orderer/purchaser.	(M AN 1/22)	HSN Purchase order number (Length ≤ 10)
328 004	RELEASE NUMBER Number identifying a release against a Purchase Order .	(O AN 1/30)	HSN Internal vendor number
323 005	PURCHASE ORDER DATE Date assigned by the purchased to the Purchase Order.	(M DT 8/8)	HSN Purchase order date (CCYYMMDD)
367 006	CONTRACT NUMBER	(O AN 1/30)	HSN "Bill-to" first and last name
587 007	ACKNOWLEDGMENT TYPE	(O ID 2/2)	**NOT USED**
1019 008	INVOICE TYPE CODE	(O ID 3/3)	**NOT USED**

SEGMENT REF - REFERENCE NUMBERS

PURPOSE

To specify identifying numbers.

EDI STANDARD SEGMENT

REF * 128 * 127 * 352 ~

HSN SUBSET OF EDI STANDARD SEGMENT

REF * 128 * 127 ~

ELEMENT NUMBER	ELEMENT NAME/DESCRIPTION	ELEMENT ATTRIBUTES	COMMENTS
REF	SEGMENT IDENTIFIER		“REF”
128 001	REFERENCE NUMBER QUALIFIER Code qualifying the reference number.	(M ID 2/3)	“ IT “
127 002	REFERENCE NUMBER Reference number or identification number as defined for a particular Transaction Set. or as specified by the Reference Number Qualifier.	(C AN 1/30)	HSN Membership number
352 003	DESCRIPTION	(C AN 1/80)	Contains Personalization information for HSN.com and Short Shopping

SEGMENT REF - REFERENCE NUMBERS

PURPOSE

This segment will be used when the customer has requested an order to be exchanged. The original order number and 2 digit exchange code will be sent in this segment.
To specify identifying numbers.

EDI STANDARD SEGMENT

REF * 128 * 127 * 352 ~

HSN SUBSET OF EDI STANDARD SEGMENT

REF * 128 * 127 ~

ELEMENT NUMBER	ELEMENT NAME/DESCRIPTION	ELEMENT ATTRIBUTES	COMMENTS
REF	SEGMENT IDENTIFIER		"REF"
128 001	REFERENCE NUMBER QUALIFIER Code qualifying the reference number.	(M ID 2/3)	"OP "
127 002	REFERENCE NUMBER Reference number or identification number as defined for a particular Transaction Set. or as specified by the Reference Number Qualifier.	(C AN 1/30)	HSN Original Order Number
352 003	DESCRIPTION	(C AN 1/80)	Exchange Reason Codes 01 Damaged 02 Defective 03 Not Received 04 Empty Box 05 Damaged - No Return 06 Wrong Size 07 Wrong Color 08 Damaged Package 09 Damaged Package - No Return 10 Defective - No Return 11 Empty Box - Damaged Package 12 Missing Quantity 13 Missing Qty - Damaged Package 14 Received Not Ordered/Received Wrong Item 15 No Manifest - Not Received 16 Missing Parts

This element will contain the 2 digit reason code only, no description

SEGMENT PO1 - PO BASELINE ITEM DETAIL

PURPOSE

To specify basic and most frequently used line item data.

EDI STANDARD SEGMENT

PO1	*	350	*	330	*	355	*	212	*	639	*
		235	*	234	*	235	*	234	*	235	*
		234	*	235	*	234	*	235	*	234	*
		235	*	234	*	235	*	234	*	235	*
		234	*	235	*	234	*	235	*	234	~

HSN SUBSET OF EDI STANDARD SEGMENT

PO1	*	350	*	330	*	355	*	212	*	*
		235	*	234	*	235	*	234	*	~

ELEMENT NUMBER	ELEMENT NAME/DESCRIPTION	ELEMENT ATTRIBUTES	COMMENTS
PO1	SEGMENT IDENTIFIER		“PO1”
350 001	ASSIGNED IDENTIFICATION Alphanumeric characters assigned for differentiation within a transaction set.	(O AN 1/20)	HSN Line number (Length ≤ 2)
330 002	QUANTITY ORDERED	(C R 1/15)	HSN Item quantity (Length ≤ 3)
355 003	UNIT OF MEASUREMENT CODE Code specifying the units in which a value is being expressed.	(M ID 2/2)	“EA “
212 004	UNIT PRICE Price per unit of product.	(C R 1/17)	HSN Cost to HSN (i.e. \$25.00 = 25 \$25.45 = 25.45)
639 005	BASIS OF UNIT PRICE CODE	(O ID 2/2)	**NOT USED**
235 006	PRODUCT/SERVICE ID QUALIFIER Code identifying type of descriptive number in Product ID.	(C ID 2/2)	HSN “VN” or “UP “ (qualifier)

DROP SHIP

234	007	PRODUCT/SERVICE ID Identifying number for a product or service.	(C AN 1/48)	HSN Vendor UPC code or vendor item number. (UPC Length = 15) (VPN Length = 30)
235	008	PRODUCT/SERVICE ID QUALIFIER Code identifying type of descriptive number in Product ID.	(M ID 2/2)	HSN “ IT “ (Buyer’s style number qualifier)
234	009	PRODUCT/SERVICE ID Identifying number for a product..	(M AN 1/48)	HSN HSN’s Item number (Length = 17 maximum)
235	010	PRODUCT/SERVICE ID QUALIFIER	(O ID 2/2)	**NOT USED**
234	011	PRODUCT/SERVICE ID	(C AN 1/30)	**NOT USED**
235	012	PRODUCT/SERVICE ID QUALIFIER	(O ID 2/2)	**NOT USED**
234	013	PRODUCT/SERVICE ID	(C AN 1/30)	**NOT USED**
235	014	PRODUCT/SERVICE ID QUALIFIER	(O ID 2/2)	**NOT USED**
234	015	PRODUCT/SERVICE ID	(C AN 1/30)	**NOT USED**
235	016	PRODUCT/SERVICE ID QUALIFIER	(O ID 2/2)	**NOT USED**
234	017	PRODUCT/SERVICE ID	(C AN 1/30)	**NOT USED**
235	018	PRODUCT/SERVICE ID QUALIFIER	(O ID 2/2)	**NOT USED**
234	019	PRODUCT/SERVICE ID	(C AN 1/30)	**NOT USED**
235	020	PRODUCT/SERVICE ID QUALIFIER	(O ID 2/2)	**NOT USED**
234	021	PRODUCT/SERVICE ID	(C AN 1/30)	**NOT USED**
235	022	PRODUCT/SERVICE ID QUALIFIER	(O ID 2/2)	**NOT USED**
234	023	PRODUCT/SERVICE ID	(C AN 1/30)	**NOT USED**
235	024	PRODUCT/SERVICE ID QUALIFIER	(O ID 2/2)	**NOT USED**
234	025	PRODUCT/SERVICE ID	(C AN 1/30)	**NOT USED**

SEGMENT CTP - PRICING INFORMATION

PURPOSE

To specify pricing information.

EDI STANDARD SEGMENT

CTP	*	687	*	236	*	212	*	380	*
		355	*	648	*	649	~		

HSN SUBSET OF EDI STANDARD SEGMENT

CTP	*	*	236	*	212	~
-----	---	---	-----	---	-----	---

ELEMENT NUMBER	ELEMENT NAME/DESCRIPTION SEGMENT IDENTIFIER	ELEMENT ATTRIBUTES	COMMENTS
CTP			"CTP"
687 001	CLASS OF TRADE CODE	(O ID 2/2)	**NOT USED**
236 002	PRICE IDENTIFIER CODE Code identifying pricing specification.	(O ID 3/3)	HSN " RES "
212 003	UNIT PRICE Price per unit of product, etc.	(O N2 1/17)	HSN Selling price (2 decimals implied)
380 004	QUANTITY	(O R 1/15)	**NOT USED**
355 005	UNIT OF MEASUREMENT CODE	(C ID 2/2)	**NOT USED**
648 006	PRICE MULTIPLIER QUALIFIER	(O ID 3/3)	**NOT USED**
649 007	MULTIPLIER	(C R 1/10)	**NOT USED**

SEGMENT PID - PRODUCT/ITEM DESCRIPTION

PURPOSE

To describe a product or process in coded or free form format.

EDI STANDARD SEGMENT

PID	*	349	*	750	*	559	*
		751	*	352	*	752	~

HSN SUBSET OF EDI STANDARD SEGMENT

PID	*	349	*	*	*	*	352	~
-----	---	-----	---	---	---	---	-----	---

ELEMENT NUMBER	ELEMENT NAME/DESCRIPTION	ELEMENT ATTRIBUTES	COMMENTS
PID	SEGMENT IDENTIFIER		"PID"
349 001	ITEM DESCRIPTION TYPE Code indicating the format of a description.	(M ID 1/1)	HSN " F "
750 002	PRODUCT/PROCESS CHARACTERISTIC CODE	(O ID 2/3)	**NOT USED**
559 003	ASSOCIATION QUALIFIER CODE	(C ID 2/2)	**NOT USED**
751 004	PRODUCT DESCRIPTION CODE	(C AN 1/12)	**NOT USED**
352 005	DESCRIPTION A free form description to clarify the related data elements and their content.	(C AN 1/80)	HSN Item description (Max length = 40)
752 006	SURFACE/LAYER/POSITION CODE	(O ID 2/2)	**NOT USED**

SEGMENT SAC - ALLOWANCE, CHARGE, OR SERVICE

PURPOSE

To specify allowances, charges or services.

EDI STANDARD SEGMENT

SAC	*	248	*	1300	*	559	*	1301	*	610	*
		378	*	332	*	118	*	355	*	380	*
		380	*	331	*	127	*	770	*	352	~

HSN SUBSET OF EDI STANDARD SEGMENT

SAC	*	248	*	1300	*	*	*	610	*	*	*	*	*	*	*
		380	*	*	*	352	~								

ELEMENT NUMBER	ELEMENT NAME/DESCRIPTION	ELEMENT ATTRIBUTES	COMMENTS
SAC 248 001	SEGMENT IDENTIFIER ALLOWANCE/CHARGE INDICATOR Code which indicates an allowance or charge for the service specified.	(M ID 1/1)	“SAC” HSN “ C “
1300 002	SERVICE,PROMOTION,ALLOW CHARGE CODE	(M ID 4/4)	HSN “G830” = Postage/handling “H850” = Tax “C310” = Item discount “I131” = Total order amount
559 003	AGENCY QUALIFIER CODE	(C ID 2/10)	**NOT USED**
1301 004	AGENCY SERVICE, PROMOTION, ALLOWANCE, or CHARGE CODE Code indicating method of handling for an allowance or charge.	(C ID 2/10)	**NOT USED**
610 005	ALLOWANCE/CHARGE TOTAL AMOUNT Total dollar amount for the allowance or charge.	(O N2 1/15)	HSN Total of charges (2 decimals implied)
378 006	ALLOWANCE/CHARGE PERCENT QUALIFIER	(O R 1/9)	**NOT USED**
332 007	PERCENT	(O N2 1/9)	**NOT USED**
118 008	RATE	(O ID 1/1)	**NOT USED**
355 009	UOM CODE	(C R 1/6)	**NOT USED**
380 010	QUANTITY	(O R 1/10)	**NOT USED**
380 011	QUANTITY	(O R 1/10)	**NOT USED**
380 012	ALLOWANCE/CHARGE METHOD OF HANDLING CODE Code indicating method of handling for an allowance or charge.	(O ID 2/2)	HSN “ 06 “ (Charge to be paid by customer)

352 013 REFERENCE IDENTIFICATION

DROP SHIP

(C AN 1/30)

NOT USED

150 014 OPTION NUMBER

(O AN 1/20)

NOT USED

352 015 **DESCRIPTION**
Free form description to clarify the
related data elements and their
content.

(C AN 1/80)

If SAC02 = "I131", then this
indicates method of payment:
"CC" = Credit Card
"CK" = Check

SEGMENT TD5 - CARRIER DETAILS (ROUTING SEQUENCE)

PURPOSE

To specify the carrier, sequence of routing and to provide transit time information.

EDI STANDARD SEGMENT

TD5	*	133	*	66	*	67	*	91	*	387	*
		368	*	309	*	310	*	731	*	732	*
		733	~								

HSN SUBSET OF EDI STANDARD SEGMENT

TD5	*	*	*	67	*	*	387	~
-----	---	---	---	----	---	---	-----	---

ELEMENT NUMBER	ELEMENT NAME/DESCRIPTION	ELEMENT ATTRIBUTES	COMMENTS
TD5	SEGMENT IDENTIFIER		"TD5"
133 001	ROUTING SEQUENCE CODE	(O ID 1/2)	**NOT USED**
66 002	IDENTIFICATION CODE QUALIFIER	(C ID 1/2)	**NOT USED**
67 003	IDENTIFICATION CODE Code identifying a party or other code. Vendor can expect to receive only those codes mutually agreed to between HSN and themselves.	(C AN 2/8)	'10' '20' '25' '30' '35' '70'
91 004	TRANSPORTATION METHOD/TYPE CODE	(C ID 1/2)	**NOT USED**
387 005	ROUTING Free form description of the routing or requested routing for shipment, or the originating carrier's identity.	(C AN 1/35)	"GROUND" "EXPRESS" "2-DAY" "MOTOR FREIGHT" "WHITE GLOVE" "GROUND HM"
368 006	SHIPMENT/ORDER STATUS CODE	(C ID 2/2)	**NOT USED**
3009 007	LOCATION QUALIFIER	(O ID 1/2)	**NOT USED**
310 008	LOCATION IDENTIFIER	(C AN 1/25)	**NOT USED**
731 009	TRANSIT DIRECTION CODE	(O ID 2/2)	**NOT USED**
732 010	TRANSIT TIME DIRECTION QUALIFIER	(O ID 2/2)	**NOT USED**

Home Shopping Network

01/17/10

733 011 TRANSIT TIME

284 012 SERVICE LEVEL CODE
\

DROP SHIP

(C R 1/4)

(C ID 2/2)

NOT USED

NOT USED

Transaction Set 850

Page 18

SEGMENT MAN – MARKS AND NUMBERS

PURPOSE

To specify identifying numbers.

EDI STANDARD SEGMENT

MAN * [] * [] * [] ~

HSN SUBSET OF EDI STANDARD SEGMENT

MAN * [] * [] ~

ELEMENT NUMBER	ELEMENT NAME/DESCRIPTION	ELEMENT ATTRIBUTES	COMMENTS
MAN	SEGMENT IDENTIFIER		"MAN"
88 001	MARKS AND NUMBER QUALIFIER Code specifying the application or source of marks and numbers.	(M ID 1/2)	"MC "
87 002	MARKS AND NUMBERS Marks and numbers used to identify a shipment or parts of a shipment.	(M AN 1/48)	Group ID for Multi-pack process

SEGMENT N1 - NAME

PURPOSE

To identify a party by type of organization, name and code.

EDI STANDARD SEGMENT

N1 * 98 * 93 * 66 * 67 ~

HSN SUBSET OF EDI STANDARD SEGMENT

N1 * 98 * 93 ~

ELEMENT NUMBER	ELEMENT NAME/DESCRIPTION	ELEMENT ATTRIBUTES	COMMENTS
N1	SEGMENT IDENTIFIER		"N1"
98 001	ENTITY IDENTIFIER CODE Code identifying an organizational entity, a physical location, or an individual.	(M ID 2/3)	" ST "
93 002	NAME Free form name.	(C AN 1/60)	HSN First and Last name of person receiving the shipment
66 003	IDENTIFICATION CODE QUALIFIER	(C AN 2/4)	**NOT USED**
67 004	IDENTIFICATION CODE	(C ID 2/4)	**NOT USED**

SEGMENT N3 - ADDRESS INFORMATION

PURPOSE

To specify the location of the named party.

EDI STANDARD SEGMENT

N3

 *

166

 *

166

 ~

HSN SUBSET OF EDI STANDARD SEGMENT

Same as EDI Standard Segment.

ELEMENT NUMBER	ELEMENT NAME/DESCRIPTION SEGMENT IDENTIFIER	ELEMENT ATTRIBUTES	COMMENTS
N3			"N3"
166 001	ADDRESS INFORMATION Address information.	(M AN 1/55)	HSN Address line 1 of the person receiving the shipment.
166 002	ADDRESS INFORMATION Address information.	(O AN 1/55)	HSN Address line 2 of the person receiving the shipment.

SEGMENT N4 - GEOGRAPHIC INFORMATION

PURPOSE

To specify the geographic location of the named party.

EDI STANDARD SEGMENT

N4	*	19	*	156	*	116	*
		26	*	309	*	310	~

HSN SUBSET OF EDI STANDARD SEGMENT

N4	*	19	*	156	*	116	~
----	---	----	---	-----	---	-----	---

ELEMENT NUMBER	ELEMENT NAME/DESCRIPTION	ELEMENT ATTRIBUTES	COMMENTS
N4	SEGMENT IDENTIFIER		"N4"
19 001	CITY NAME Free form text for city name.	(C AN 2/30)	HSN receiving party's city
156 002	STATE OR PROVINCE CODE Code as defined by appropriate gov't agency.	(O ID 2/2)	HSN receiving party's state
116 003	POSTAL CODE Code defining postal zone code (zip code for the United States).	(O ID 3/15)	HSN receiving party's zip code
26 004	COUNTRY CODE	(O ID 2/3)	Only if International Order
309 005	LOCATION QUALIFIER	(C ID 1/2)	"ZZ"
310 006	LOCATION IDENTIFIER	(C AN 1/30)	telephone number of person purchasing item

SEGMENT REF - REFERENCE NUMBERS

This REF segment will be used to pass order specific personalization information to the vendor. The manner in which the personalization data will be utilized will be on a case by case basis pre-defined between HSN and the Vendor.

Note: This REF segment can loop up to 20 times with max length of 55 characters per segment.

EDI STANDARD SEGMENT

REF * 128 * 127 * 352 ~

HSN SUBSET OF EDI STANDARD SEGMENT

REF * 128 * 127 ~

ELEMENT NUMBER	ELEMENT NAME/DESCRIPTION	ELEMENT ATTRIBUTES	COMMENTS
REF	SEGMENT IDENTIFIER		“REF”
128 001	REFERENCE NUMBER QUALIFIER Code qualifying the reference number.	(M ID 2/3)	“ZZ”
127 002	REFERENCE NUMBER Reference number or identification number as defined for a particular Transaction Set. or as specified by the Reference Number Qualifier.	(C AN 1/30)	Not Used
352 003	DESCRIPTION	(C AN 1/50)	Contains Personalization

SEGMENT MSG – MESSAGE TEXT

PURPOSE

To provide a free-form format that allows the transmission of text information. The first of two MSG segments will be used to send a Gift Message Header to be printed on the HSN Order Summary Stock. The Gift Message Header will not exceed 37 characters. Font Style should be Ariel Bold and Font size should be 14. You will need to submit a sample of the Order Summary to the HSN Drop Ship Team to ensure proper placement of all fields including the gift header and gift message.

EDI STANDARD SEGMENT

MSG * 933 * 934 * 1470 ~

HSN SUBSET OF EDI STANDARD SEGMENT

MSG * 933 ~

ELEMENT NUMBER	ELEMENT NAME/DESCRIPTION	ELEMENT ATTRIBUTES	COMMENTS
MSG	SEGMENT IDENTIFIER		"MSG"
933 001	FREE FORM MESSAGE TEXT Free form name.	(M AN 1/264)	Free Form Message Text (Gift Message Header)

SEGMENT MSG – MESSAGE TEXT

PURPOSE

To provide a free-form format that allows the transmission of text information. The second of two MSG segments will be used to send a Gift Message to be printed on the HSN Order Summary Stock. The Gift Message will not exceed 125 characters. The Gift Message will print from 1 to 4 lines on the HSN Order Summary, each line not to exceed 37 characters. No single word may be split between two lines. Font Style should be Ariel and Font size should be 12

EDI STANDARD SEGMENT

MSG * 933 * 934 * 1470 ~

HSN SUBSET OF EDI STANDARD SEGMENT

MSG * 933 ~

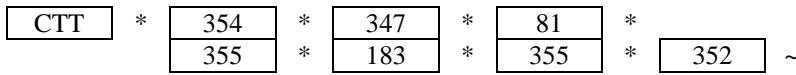
ELEMENT NUMBER	ELEMENT NAME/DESCRIPTION	ELEMENT ATTRIBUTES	COMMENTS
MSG	SEGMENT IDENTIFIER		“MSG”
933 001	FREE FORM MESSAGE TEXT Free form name.	(M AN 1/264)	Free Form Message Text (Gift Message)

SEGMENT CTT - TRANSACTION TOTALS

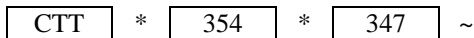
PURPOSE

To transmit a hash total for a specific element in the transaction set.

EDI STANDARD SEGMENT



HSN SUBSET OF EDI STANDARD SEGMENT



ELEMENT NUMBER	ELEMENT NAME/DESCRIPTION SEGMENT IDENTIFIER	ELEMENT ATTRIBUTES	COMMENTS
CTT			"CTT"
354 001	NUMBER OF LINE ITEMS Total number of line items in the transaction set.	(M N0 1/6)	Total number of line items in the transaction.
347 002	HASH TOTAL Sum of totals of the specified data element.	(O R 1/10)	Total number of line items in the transaction.
81 003	WEIGHT	(O R 1/10)	**NOT USED**
355 004	UNIT OF MEASUREMENT CODE	(C ID 2/2)	**NOT USED**
183 005	VOLUME	(O R 1/8)	**NOT USED**
355 006	UNIT OF MEASUREMENT CODE	(C ID 2/2)	**NOT USED**
352 007	DESCRIPTION	(O AN 1/80)	**NOT USED**

SEGMENT SE - TRANSACTION SET TRAILER

PURPOSE

To indicate the end of the transaction set and provide the count of the transmitted segments (including the beginning (ST) and the ending (SE) segments).

EDI STANDARD SEGMENT

SE * 96 * 329 ~

HSN SUBSET OF EDI STANDARD SEGMENT

Same as the EDI Standard Segment.

ELEMENT NUMBER	ELEMENT NAME/DESCRIPTION	ELEMENT ATTRIBUTES	COMMENTS
SE	SEGMENT IDENTIFIER		"SE"
96 001	NUMBER OF INCLUDED SEGMENTS Total number of segments included in a transaction set including ST and SE segments.	(M NO 1/6)	Number of segments
329 002	TRANSACTION SET CONTROL NUMBER Identifying control number that must be unique within the transaction set functional group assigned by the originator for a transaction set.	(M AN 4/9)	HSN Our sequential number

SEGMENT GE - FUNCTIONAL GROUP TRAILER

PURPOSE

To indicate the end of a functional group and to provide control.

EDI STANDARD SEGMENT

GE * 97 * 28 ~

HSN SUBSET OF EDI STANDARD SEGMENT

Same as EDI Standard Segment

ELEMENT NUMBER	ELEMENT NAME/DESCRIPTION SEGMENT IDENTIFIER	ELEMENT ATTRIBUTES	COMMENTS
GE			“ GE “
97 001	NUMBER OF TRANSACTION SETS INCLUDED. Count of ST segments within the Group.	(M N0 1/6)	Total number of transaction sets included in the GS - GE group.
28 002	GROUP CONTROL NUMBER Assigned number originated and maintained by the sender.	(M N0 1/9)	Same number as in GS segment (data element 06)

SEGMENT IEA - INTERCHANGE CONTROL TRAILER

PURPOSE

To define the end of an interchange of one or more functional groups and interchange-related control segments.

EDI STANDARD SEGMENT

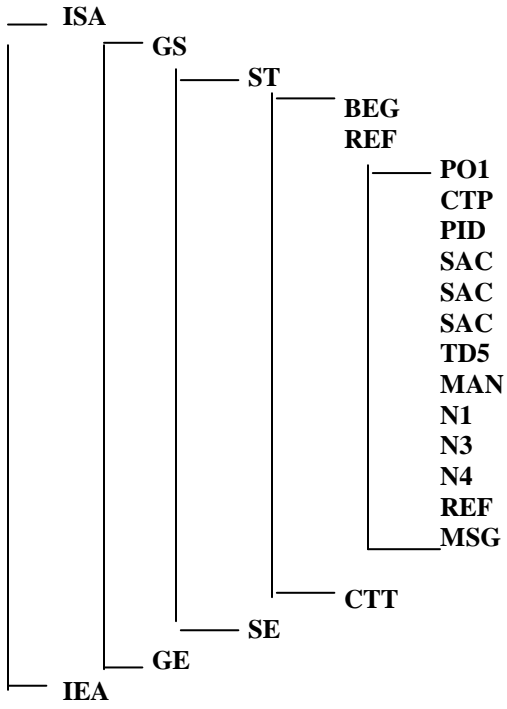
IEA * I16 * I12 ~

HSN SUBSET OF EDI STANDARD SEGMENT

Same as EDI Standard Segment.

ELEMENT NUMBER	ELEMENT NAME/DESCRIPTION SEGMENT IDENTIFIER	ELEMENT ATTRIBUTES	COMMENTS
IEA			“ IEA “
I16 001	NUMBER OF INCLUDED FUNCTIONAL GROUPS A count of the number of included groups included in a transmission.	(M N0 1/5)	Count of the GS segments in the transmission.
I12 002	INTERCHANGE CONTROL NUMBER Number that uniquely identifies the interchange data. It is assigned by the sender.	(M N0 9/9)	Same number as in the ISA segment (data element 13)

TRANSACTION LAYOUT



SAMPLE TRANSACTION

ISA*00* *00* *01*076902113 *01*060530144
*050502*0219*U*00401*000013022*0*P*>
GS*PO*076902113*060530144*20050502*0219*000014195*X*004010
ST*850*0001
BEG*04*SA*425912763*023887*20050501
REF*IT*542773239
REF*OP*0123456789*06
PO1**1*EA*54**VN*1200121212121USB5216*IT*65065000106156587
CTP**RES*8950
PID*F****Sample 48 Bit Color Scanner
SAC*C*H850***829*****06
SAC*C*G830***1095*****06
SAC*C*I131***10874*****06***CK
TD5***10**GROUND
MAN*MC*312164000011
N1*ST*MELINDA A SMITH
N3*1388 RIDGE RD
N4*DUNLAP*TN*373275011**ZZ*4239492872
CTT*1
SE*17*0001
ST*850*0002
BEG*04*SA*425945407*023887*20050501
REF*IT*542184684
REF*OP*9876543210*07
PO1**1*EA*54**VN*1200121212121USB5216*IT*6506500010615658B
CTP**RES*8950
PID*F****Sample 48 Bit Color Scanner
SAC*C*H850***824*****06
SAC*C*G830***1095*****06
SAC*C*I131***10869*****06***CK
TD5***10**GROUND
MAN*MC*312164000011
N1*ST*MELINA A SMITH
N3*1388 RIDGE RD
N4*DUNLAP*TN*373275011**ZZ*4239492872
REF*IT*312164000011
CTT*1
SE*16*0002
ST*850*0003
BEG*00*SA*426742519*023887*20050501*DOUG W CHIS
REF*IT*000000000
PO1**1*EA*71**VN*BEARPAW*IT*175831
CTP**RES*0
PID*F****Sample 48 BIT BEARPAW SCANNER
SAC*C*I131***0*****06***CC
TD5***10**GROUND
N1*ST*DOUG W CHIS
N3*59211 STANHOPE AVE
N4*CARMICHAEL*CA*956083803**ZZ*9163663741
CTT*1
SE*13*0003
ST*850*0004
BEG*00*SA*426742709*023887*20000501*TERRINA Y YELLERSON
REF*IT*000000000
PO1**1*EA*71**VN*BEARPAW*IT*175831
CTP**RES*0
PID*F****Sample 48 BIT BEARPAW SCANNER
SAC*C*I131***0*****06***CC
TD5***10**GROUND
N1*ST*TERRINA YELLERSON
N3*93 S 21ST ST*APT 34
N4*CHAMPAIGN*IL*618206072**ZZ*7736600807
REF*ZZ*FARVE

Home Shopping Network

01/17/10

DROP SHIP

Transaction Set 850

Page 32

REF*ZZ*PACKERS

MSG*HAPPY BIRTHDAY

MSG*HOPE YOU HAVE A GREAT BIRTHDAY DAVID LOVE MOM AND DAD

CTT*1

SE*17*0004

GE*4*00014195

IEA*1*000013022